

# PROACT.®

REFERENCE : PA166

SIZES : 6/8\_8/10\_10/12\_12/14

**COMPOSITION :**

Main fabric : Polyester interlock - 150 For skirt 100%polyester

Main fabric : Polyester / Elastane SJ-220 For inner brief 90% polyester / 10% elastane

**WEIGHT :**

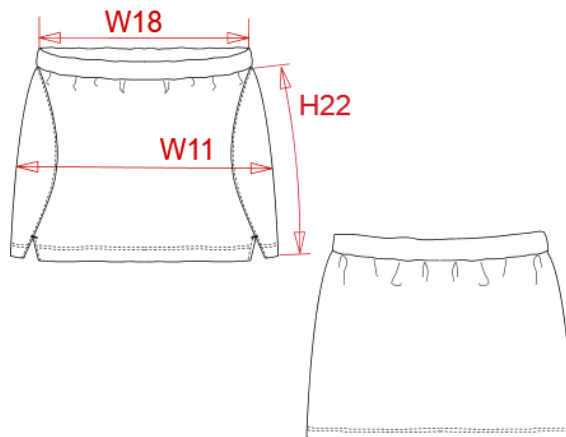
Main fabric : 150 gsm

Main fabric : 220gsm

**TECHNICAL DETAIL :**

**ARTICLE WEIGHT :**

122 gr/pc



DESCRIPTION
<b>Français :</b> Jupe tennis enfant
<b>English :</b> Kids' tennis skirt
<b>Nederlands :</b> Kindertennisrokje
<b>Deutsch :</b> Kinder-Tennisrock
<b>Español :</b> Falda de tenis para niña
<b>Italiano :</b> Gonna tennis bambina
<b>Português :</b> Saia de ténis de criança

COLORS	PANTONE SERIGRAPHIE
White	White
Black	Black
Sporty navy	7546C

MEASUREMENT						
Description	6/8	8/10	10/12	12/14		
<b>W18</b> 1/2 taille élastiquée / 1/2 elasticated waist	27,50	29	31	32,50		
<b>W11</b> 1/2 bassin / 1/2 hip width	35,40	37,40	39,50	41,50		
<b>H22</b> Longueur côté jupe ceinture non inclus / Side length of skirt non included waistband	21,50	24,70	27,80	31,10		

CARE LABEL

PACKING	
Box	25 pcs / box All sizes => L:40cm W:35cm H:17cm GW:4.75kg NW:3.75kg