



REFERENCE : KP608

SIZES : S/M\_L/XL

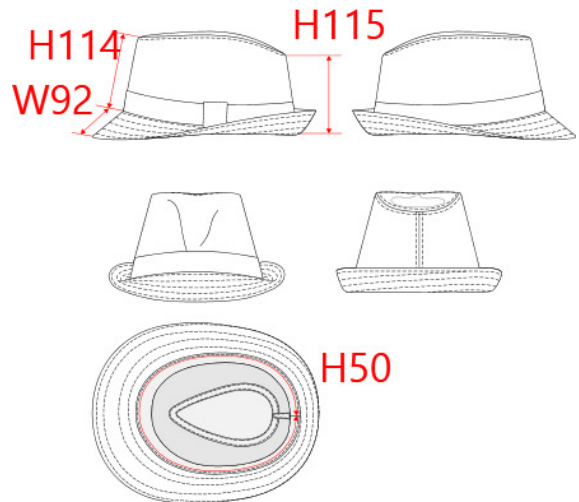
COMPOSITION :

Main material : Paper straw 100% vegetable fiber

Lining : Polyester knit lining A inner lining. 100% Polyester

ARTICLE WEIGHT :

75 gr/pc



DESCRIPTION
<b>Français</b> : Chapeau en fibre végétale
<b>English</b> : Hat made from vegetable fibres
<b>Nederlands</b> : Hoed van plantaardige vezel
<b>Deutsch</b> : Hut aus pflanzenfasern
<b>Español</b> : Sombrero en fibra vegetal
<b>Italiano</b> : Cappello in fibra vegetale
<b>Português</b> : Chapéu em fibra vegetal

COLORS	PANTONE SERIGRAPHIE
Beige / Chocolate	7529C / 439C
Black / Grey	Black / 422C
Light grey / Black	401C / Black
Red / Grey	200C / 422C

MEASUREMENT						
Description	S/M	L/XL				
<b>H50</b> Tour de tête / Head measurement	57	58,50				
<b>H114</b> Height of the crown on front part	9,50	10				
<b>H115</b> Height of the crown on back part	9	9,50				
<b>W92</b> Width of the brim	4,80	4,80				

CARE LABEL

PACKING	
Box	50 pcs / box Size => L:49,5cm W:26cm H:51cm GW:6,2Kg NW:4,2Kg