

# KARIBAN

**REFERENCE :** K969

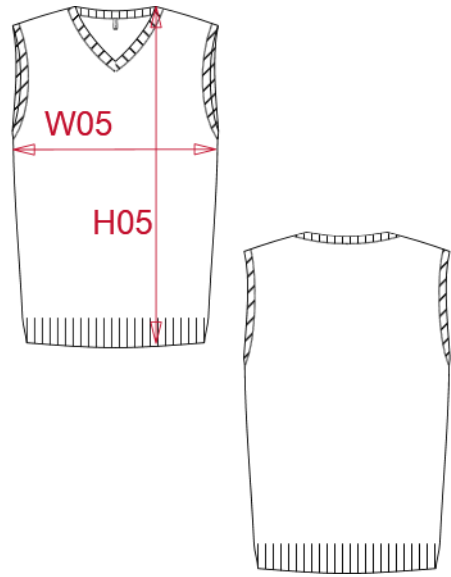
**SIZES :** S\_M\_L\_XL\_XXL\_3XL\_4XL

**COMPOSITION :**

Main fabric : Knit Cotton / Acrylic yarn (32/2) 50/50 - 290 50% cotton / 50%acrylic

**WEIGHT :**

Main fabric : ± 290 gsm



DESCRIPTION
<b>Français :</b> Pull homme sans manche col V
<b>English :</b> Men's sleeveless jumper
<b>Nederlands :</b> Heren spencer met V-hals
<b>Deutsch :</b> Herren pullunder
<b>Español :</b> Jersey escote de pico sin mangas
<b>Italiano :</b> Gilet uomo
<b>Português :</b> Colete malha

COLORS	PANTONE SERIGRAPHIE
Black	Black
Grey melange	Based on 402C
Navy	433C

MEASUREMENT							
Description	S	M	L	XL	2XL	3XL	4XL
<b>H05 (M)</b> Hauteur totale / Total height	68	70	72	74	76	78	80
<b>W05 (M)</b> 1/2 largeur poitrine à 1.5cm de l'emmanchure / 1/2 chest width at 1.5cm below armhole	48	51	54	57	60	63	66

CARE LABEL

PACKING	
Box	10 pcs / box S-L => L:55cm W:37cm H:10cm GW:3.50kg NW:2.40kg XL-XXL => L:60cm W:39cm H:10cm GW:4.10kg NW:2.80kg 3XL-4XL => L:65cm W:39cm H:10cm GW:4.60kg NW:3.20kg